

DATA SHEET

VT 4.25

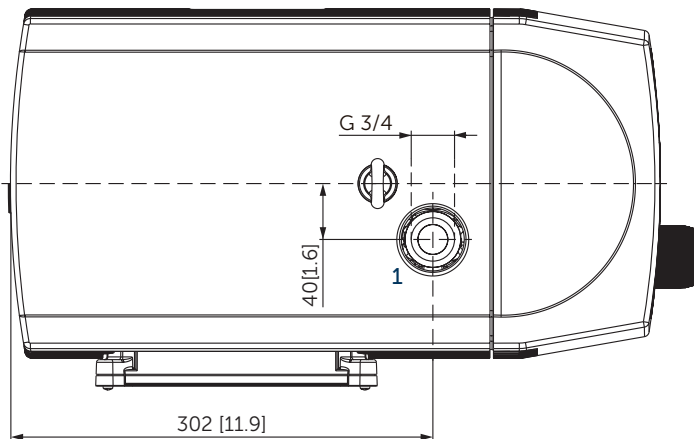
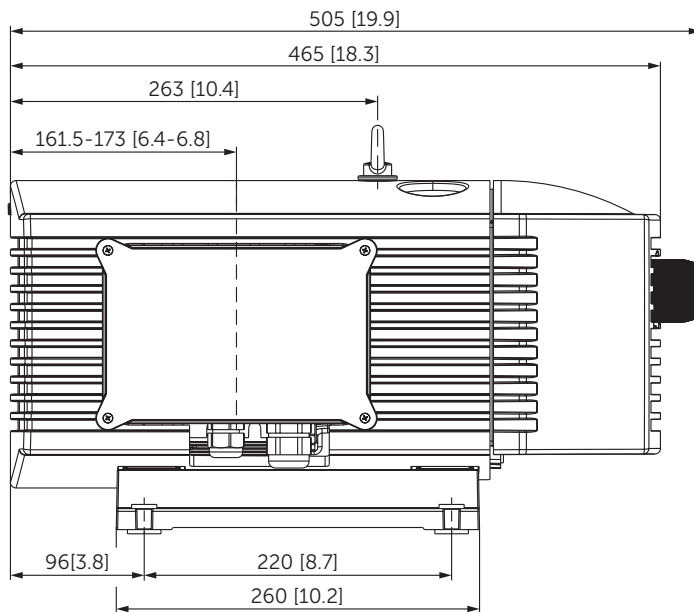
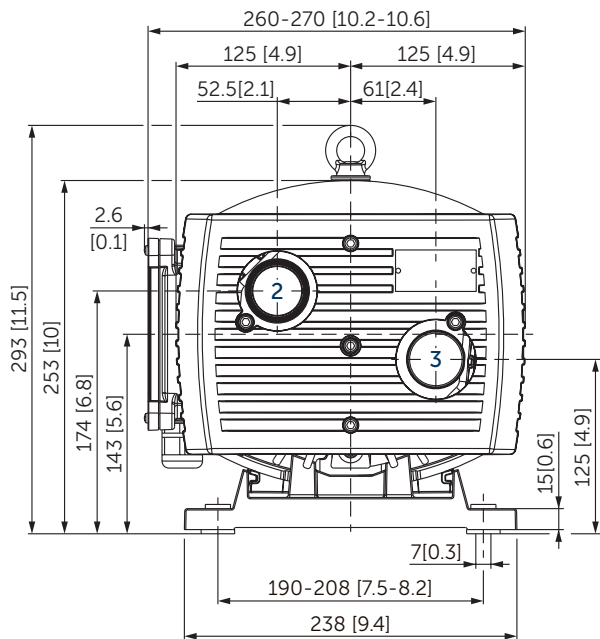
ROTARY VANE VACUUM PUMPS

oil-free

air-cooled

MAKE IT BECKER.





- 1 Vacuum connection (G³/₄)
- 2 Vacuum regulating valve
- 3 Blow-off valve
- Including integrated suction air filter
- The illustration may vary and shows the vacuum pump with the terminal box of an IE3 motor.
- Dimensions in mm [inch]

Suction air rate		Vacuum absolute		Motors 3~		Emission sound pressure level ¹⁾		Weight with motor
m ³ /h		mbar		kW		dB(A)		kg
50 Hz	60 Hz	50 Hz	60 Hz	50 Hz	60 Hz	50 Hz	60 Hz	
25	30	150	150	0.75	0.90	62	67	≈26–29 ²⁾

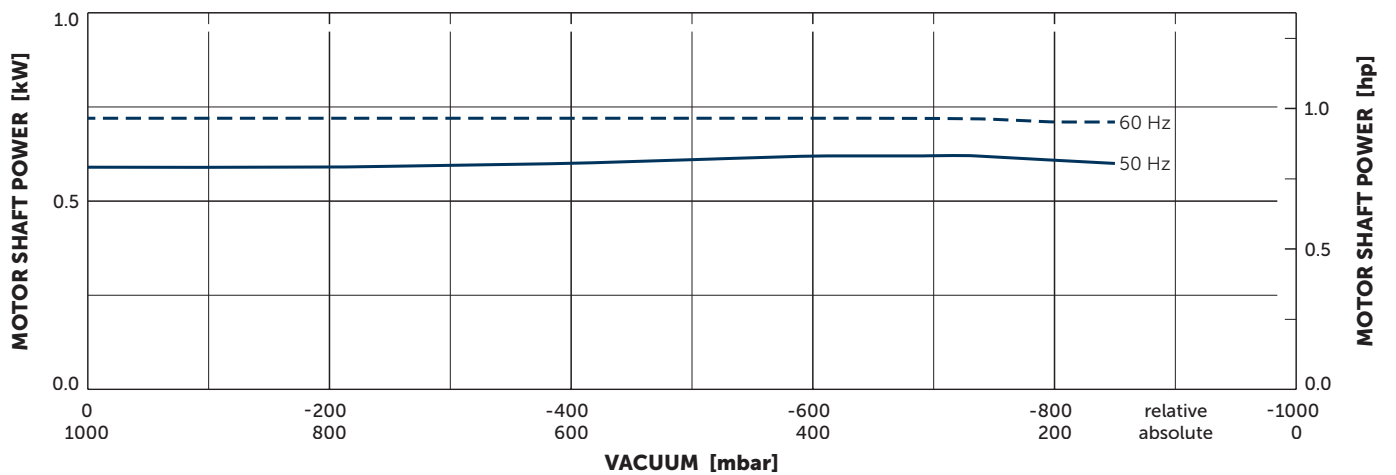
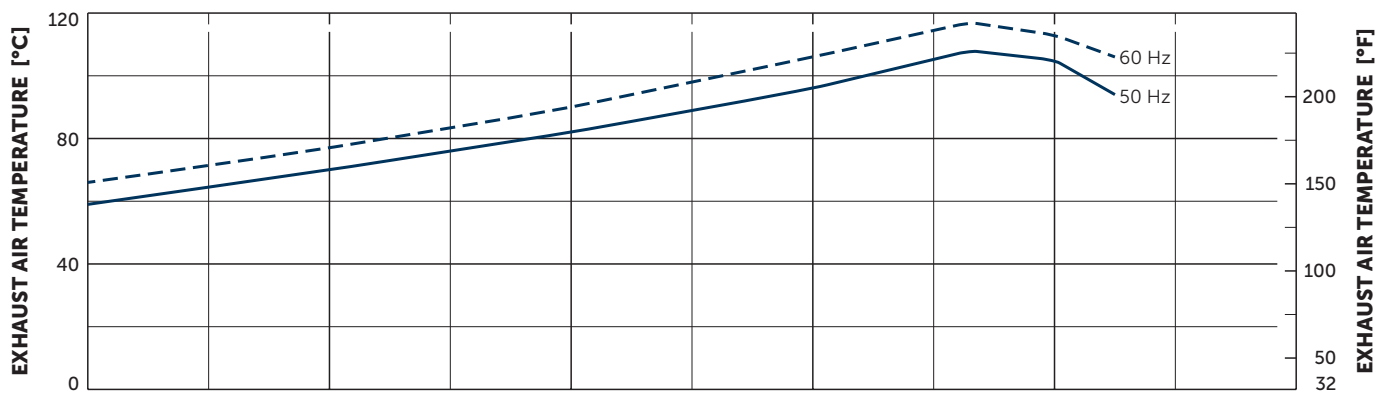
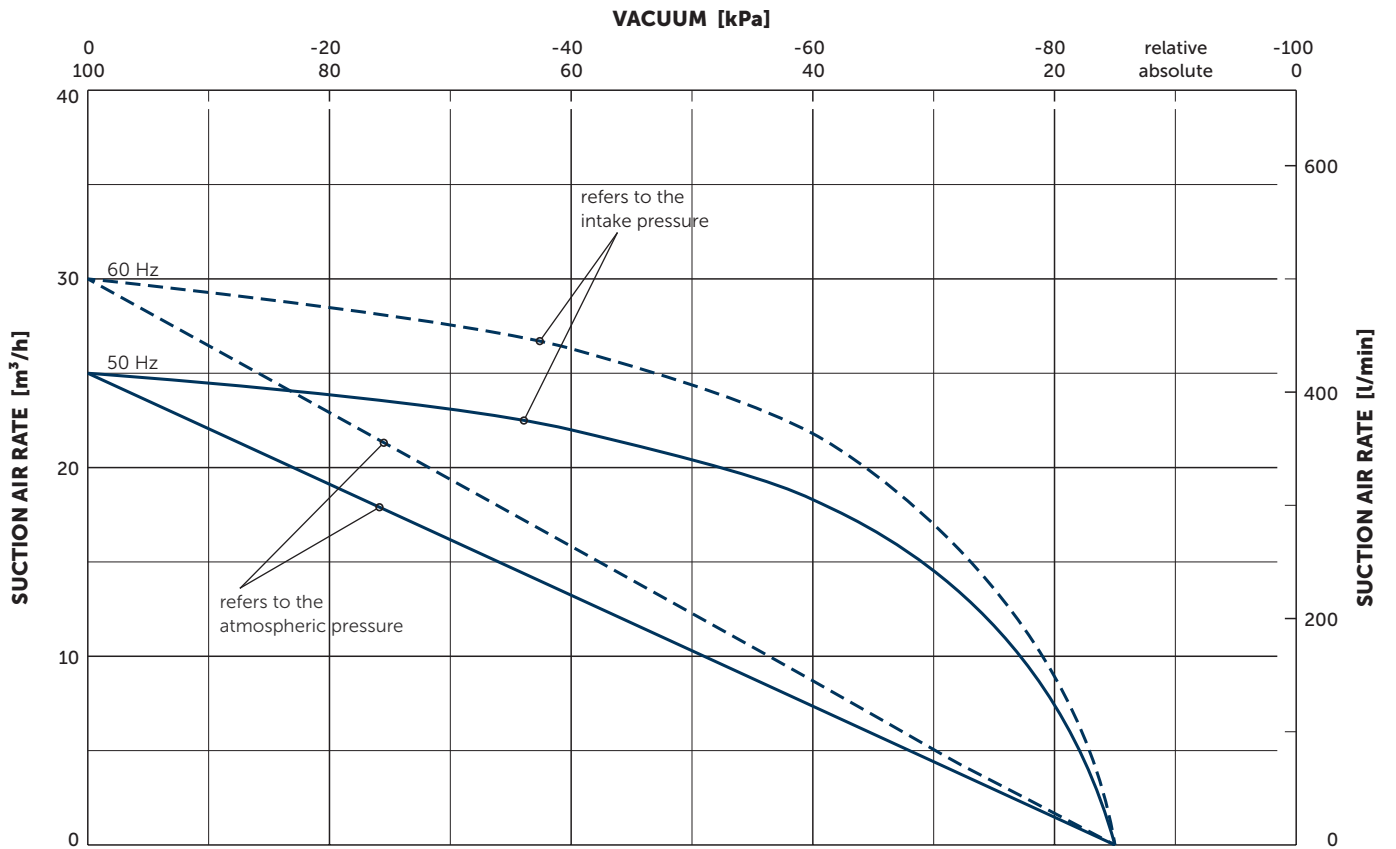
¹⁾ According to DIN EN ISO 3744 (KpA = 3 dB(A)), 1 m [39.4 inch] distance, at medium load, both connection sides piped

²⁾ Depending on the motor

3~ Motors											
#	50 Hz				60 Hz				Version		
	kW	V	min ⁻¹	A	kW	V	min ⁻¹	A			
01	0.75	Y400	IE3	1450	1.9	0.90	YY230/Y460	IE3	1745	3.6/1.8	UL(E113150)/CSA/CC046A IP55, ISO F PTO (bimetal) 150°C
							YY208	IE3	1730	3.7	
							Y400	–	1725	1.9	
02	0.75	Δ200/Y350	IE3	1450	4.2/2.4	0.90	Δ220/Y380–400	IE3	1745	4.0/2.3	UL(E113150)/CSA IP55, ISO F PTO (bimetal) 150°C
							Δ200/Y350	–	1730	4.2/2.4	
03	0.75	190–255/ 330–440	–	1430	3.9–4.85/ 2.25–2.8	0.90	190–290/ 330–500	–	1690	4.65–4.25/ 2.7–2.45	IP54, ISO F

1~ Motor									
#	50 Hz				60 Hz				Version
	kW	V	min ⁻¹	A	kW	V	min ⁻¹	A	
01	0.8	230 ±10%	1350	6.4	1.0	230 ±10%	1600	7.2	IP54, ISO F 25 μF (450 V)

• Current consumption and rotation speed may vary. Tolerance in each case -1.5/+2%



Reference data (atmosphere): 1000 mbar (100 kPa), 20°C (68°F)
 Tolerance: ±5%
 Air temperature: 5°C ... 45°C (41°F ... 135°F)

+ VARIANTS AND ACCESSORIES

VX 4.25

SERIES X: BECKER INNOVATION WITH TOP WARRANTY

Equipped with specially developed vanes, these oil-free rotary vane pumps distinguish themselves by high abrasion resistance, and with that extremely long service lives. Due to the low wear there is also minimal dust, so the series X pumps are perfectly suited for precision processes under clean room conditions.

This innovation branded by Becker is outstanding not only because of its 100 percent oil-free operation, excellent degree of efficiency and low power consumption.

In the area of sensitive vacuum, series X also guarantees precise low-pulsation air conduction.

Becker guarantees for these pumps a vane life-time of 20,000 operating hours or a maximum of 3 years. The enhanced longevity of X series pumps also extends service life intervals, and can cut out the need for frequent service visits with costly pump failures now no longer an issue.



ADVANTAGES

- Quick, clean and quiet
- Oil-free
- Wear resistant
- Energy saving
- Long-life reliability
- Ultimate pressure 100 mbar absolute

OTHER VARIANTS AND ACCESSORIES

- With external suction filter, e.g. series FV¹⁾
- Sound proof box SH 19¹⁾



Example for an external suction filter



Sound proof box SH 19

¹⁾ See separate data sheet

- Possible combinations on request

MAKE IT BECKER.